

**ER-Bi<sup>®</sup>**



*Hose & Pipe Clamps*





The logo for ER-BI, featuring the letters 'ER-BI' in a bold, white, sans-serif font with a registered trademark symbol, set against a red rectangular background.

**ER-BI®**

## Founding

ER-BI is established in 1967 in Istanbul and became a leading company in Turkey about production of hose and pipe clamps. In 2010 KMC Company which is the leader of sheet steel sales in Turkey incorporate ER-BI. Since its foundation and incorporation with KMC, executes production without sacrificing quality, with reasonable prices, within world standards and in line with the requirements of its customers.

## Our Mission

Assuming a role in shaping the future of the industry it is involved, maintaining the current position of our company in global competitive conditions and targeting sustainable development, Consistently and markedly boosting the value we add to our customers, employees, community and environment through our efficiency, agility, quality and productivity, Displaying sensitivity towards environment for the sake of creating the future's nature today across the awareness that every individual has the right of living in a healthy and balanced healthy environment.

## Our Vision

Constantly expanding our quality, brands and patented products together with our experience and knowledge base, creating values for Turkish and global economy at business ethics and corporate culture standards, and turning out to be a corporation that pioneers the future of the industry.







HER ARIZA  
VE AKSAMATI  
YETKİLİSİNE  
BİLDİRİNİZ

KMC





## Production

Our main production consists of hose and pipe clamps manufactured from zinc coated AISI 304 and AISI 430 stainless steel. Besides, our firm produces some special replacement parts made of metal to basic industry factories in automotive and whiteware sector. Our production capacity is 100 million pc/year. With its world class product quality, TUT Kelepçe provides service to various sectors in Turkey and the world starting from automotive far to whiteware sector. Akkardan, Anadolu Motor, Anixter, Arçelik, Baymak, BMC, Robert Bosch, Erkunt, Compenanta, Demirdöküm, Isuzu, İran Traktör, Hema Endüstri, Kordsa, Mako, Siemens, Sigla, Temsa, Tofaş, Türk Traktör, Uzel, Vestel, Vitra are all among our customers.

## Sectors Using Our Products

Automotive, Whiteware, Solar Energy Systems, Heavy Machinery, Natural Gas, Construction, Installation, Machine Manufacturing, Urban Signalling Systems, Liquefied Petroleum Gas, Fuel, Agricultural Machine Industry.

## Export of Us

Egypt, Morocco, Tunisia, Jordan, Iran, Netherlands, Greece, KKTC (North Cyprus Turkish Republic), Kazakhstan, Romania, Hungary, Italy, Germany, England, Sweeden, Finland, Poland, Belarus and Russia, Mauritius Islands and Liechtenstein are among the countries we execute export.

## Patented Products

TR 1999/00863 B	Examined Patent
TR 2002/00689B	Examined Patent
TR 2007/05389Y	Utility Model
TR 2007/07729Y	Utility Model
TR 2008/02231Y	Utility Model
TR 2009/0515B	Unexamined Patent
TR 2011/01684Y	Utility Model
TR 2013/01103	Utility Model
2001/01160	Certificate of Industrial Design



## Our Quality

Our firm is the only firm in Turkey and the Middle East having quality management system that provides the requirements of OHSAS 18001 Worker's Health and Safety ISO TS 16949 Specifications, ISO 14001 Environmental Management System and ISO 9001:2000 Quality Management System.



**ER-Bİ**<sup>®</sup>





**KMMC**  
GROUP

# Clamps - Fields of Application

## White Goods

---

In the white goods industry, our clamps are employed for sealing purposes in hoses used to convey pressurized water incoming from pump motors inside the machines to destined locations, in hoses that help to discharge waste waters and in inlet-outlet hoses of heaters with high temperature.



## Automotive

---

In the white industry, our clamps are employed in fuel hoses, radiator hoses, air-conditioner hoses, braking systems and air filter systems coupled to the engine. Additionally, our clamps are also used in axle and steering systems.



## Agriculture

---

In the agriculture industry, our clamps are employed in various farming equipment and drip irrigation water hoses for sealing.



## Engineering Vehicles

---

In engineering vehicles, our clamps are safely employed in the inlet-outlet of the pump that generates the power that should be conveyed to pistons, in water hoses, in fuel hoses and in hydraulic hoses hosting flowing oil.



## Autogas Systems

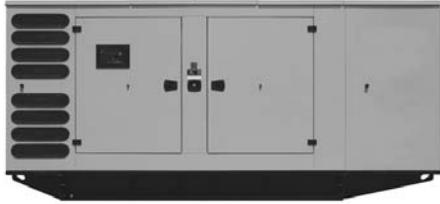
---

In LPG and CNG systems, our clamps are employed for sealing purposes in ventilation hoses that ensure the discharge of any potential gas leak off the vehicle, in multi-valve systems, in fuel tanks, and in gas regulation valves that ensure ideal gas flow to the regulator and engine.





## Generator



Our clamps are employed for sealing purposes in motor section of generators running on gasoline, diesel and natural gas, and in chambers holding oil and air hoses.

## Gas-Filled Tubes



Our clamps are safely employed for sealing in the inlet and outlet of the hood hose that regulates the pressure of the gas in the tube.

## Signalization Systems



In signalization systems, our clamps are employed to directly engage the post and the signalization lights. In addition, our clamps are also employed in illumination systems.

## Solar Energy Systems















In solar energy systems, our clamps are employed in the inlet and outlet of hot and water fluids, and in pipes that serve as a switch between the tank and collector. Furthermore, our aluminium clamps are employed to couple the collector to the system.

## Other












Our clamps are safely employed in myriad of industries including metal machining, casting shipbuilding, aviation, defence industry, compressor systems, rubber hoses, ventilation systems etc.



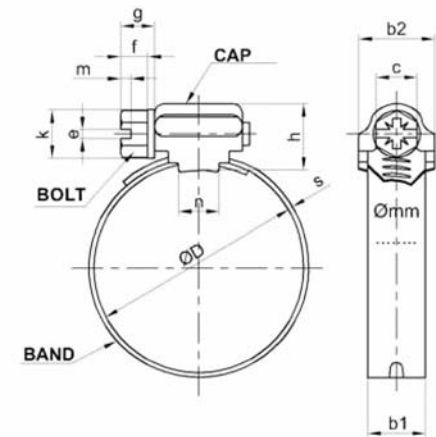
PAGE	TYPE	PAGE	TYPE	PAGE	TYPE
10	 A Type Clamps	11	 A2 Type Clamps	12	 B Type Clamps
PAGE	TYPE	PAGE	TYPE	PAGE	TYPE
13	 C Type Clamps	14	 D Type Clamps	15	 Spiked Clamps
PAGE	TYPE	PAGE	TYPE	PAGE	TYPE
16	 Guide Threaded Spiked Curved Clamps	17	 14 mm Ribbed Clamps	18	 Ribbed Clamps
PAGE	TYPE	PAGE	TYPE	PAGE	TYPE
19	 T-Head Ribbed Clamps	20	 Double Sided Burst Pipe Clamps	21	 Light Duty Pipe Clamps





PAGE	TYPE	PAGE	TYPE	PAGE	TYPE
22	 <p>Single Sided Pipe Clamps</p>	23	 <p>For PVC Pipe Clamps With Rubber</p>	24	 <p>Sprinkler Clamps</p>
25	 <p>Wood Screws and Dowels</p>	26	 <p>Exhaust Clamps</p>	26	 <p>Ear Clamps</p>
27	 <p>rip Clamps</p>	27	 <p>Economic Strip Clamps</p>	28	 <p>Solar Systems Clamps</p>

# A Type Clamps



## Dimensions

Code	Ø D		Qty in A Box	Weight of the box (kg)	S ±0.05	b1 ±0.25	b2 ±0.3	c -0.2	k ±0.2	f ±0.3	g ±0.2	h ±0.4	m ±0.2	e ±0.1	n ±0.2
	mm	inch													
A-01	8-13	5/16"-1/2"	1000	7,9	0,6	8,5	11,2	6-7	7,1-8,0	5	6	10	1,5	1,3	6
A-02	10-16	3/8" - 5/8"	1000	8,4											
A-03	13-19	1/2" - 3/4"	1000	10,3											
A-04	16-23	5/8" - 7/8"	1000	10											
A-05	18-25	11/16" - 1"	1000	10											
A-06	19-26	3/4" - 1 1/32"	1000	10,7											
A-07	20-30	3/4" - 1 3/16"	1000	11,3	0,7	8,5	11,2	6-7	7,1-8,0	5	6	10	1,5	1,3	6
A-08	22-36	7/8" - 1 13/32"	1000	12,1											
A-09	25-40	1" - 1" 1/32"	1000	13,6											
A-10	25-42	1 3/32" - 1 7/8"	1000	14,2											
A-11	28-48	1 1/4" - 2"	1000	14,6											
A-12	32-51	1 1/2" - 2 1/4"	1000	15,2											
A-13	44-64	1 3/4" - 2 1/2"	1000	16,3											
A-14	51-72	2" - 2 7/8"	300	5,4											
A-15	57-76	2 1/4" - 3"	300	5,7											
A-16	65-82	2 18/32" - 3 1/4"	300	6											
A-17	76-92	3" - 3 20/32"	300	6,1											

## Torque Values

Diameter ØD (mm)	Tightening Torque (Nm)	Breakdown Torque (Nm)	Idle Torque (Nm)
8-13	3	4	0,5
10-16	3	4	0,5
13-19	3	4	0,5
16-23	3,5	4	0,5
18-25	3,5	4	0,5
19-26	3,5	4,5	0,5
20-30	3,5	4,5	0,5
22-36	3,5	4,5	0,5
25-40	3,5	4,5	0,5
25-42	3,5	4,5	0,5
28-48	4	4,5	0,5
32-51	4	4,5	0,5
44-64	4	4,5	0,5
51-72	4	4,5	0,5
57-76	4	4,5	0,5
65-82	4	4,5	0,5
76-92	4	4,5	0,5

Recommended tightening speed 300 rpm.  
Available for TS12091-DIN 3017

## Materials

W1	Band	: 1.0330 [DC01 (C690) Special Steel ]
	Cap	: 1.0330 [ DC01 (C390) Special Steel ]
	Screw	: 1.5525 [ (20MnB4) Special Zinc Plated ]
	Salt Water Terset	: 100 hours
W4	Band & Cap	: 1.4301 [ (X5CrNi 18-10) Antimagnetic st/st ]
	Screw	: 1.4567 [ (X3CrNiCu 18-9-4) Antimagnetic st/st ]
	Salt Water Test	: 800 hours

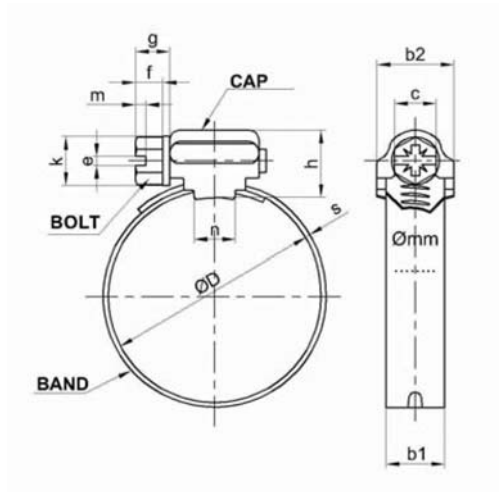
Salt water test is performed regarding ASTM B 117 standards.





# A2 Type Clamps

PATENTED PRODUCT



## Torque Values

Diameter ØD (mm)	Tightening Torque (Nm)	Breakdown Torque (Nm)	Idle Torque (Nm)
19-26	4,5	5,5	1
20-30	4,5	5,5	1
20-32	4,5	5,5	1
25-42	4,5	5,5	1
28-48	4,5	5,5	1
30-45	4,5	5,5	1
32-50	4,5	5,5	1
38-58	4,5	5,5	1
40-60	4,5	5,5	1
44-64	4,5	5,5	1
50-70	5	6,5	1
60-80	5	6,5	1
70-90	5	6,5	1
80-100	5	6,5	1
85-103	5	6,5	1
90-110	5	6,5	1
100-120	5	6,5	1
110-130	5	6,5	1
115-135	5	6,5	1
120-140	5	6,5	1
130-150	5	6,5	1
140-160	5	6,5	1
146-164	5	6,5	1

Recommended tightening speed 300 rpm.  
Available for TS12091-DIN 3017

## Dimensions

Code	Ø D		Qty in A Box	Weight of the box (kg)	S ±0.05	b1 ±0.25	b2 ±0.3	c -0.2	k ±0.2	f ±0.3	g ±0.2	h ±0.4	m ±0.2	e ±0.1	n ±0.4
	mm	inch													
A2-01	19-26	3/4" - 1 1/32"	1000	16,1	0,8	10	12,5	7	8,3	5,8	6,5	11	1,5	1,4	9,4
A2-02	20-30	3/4" - 1 3/16"	1000	16,9											
A2-03	23-35	7/8" - 1 13/32"	800	14,7											
A2-04	25-40	1" - 1 21/32"	700	13,5											
A2-05	28-48	1 3/32" - 1 7/8"	600	12,3											
A2-06	30-45	1 3/32" - 1 7/8"	600	12,9											
A2-07	32-50	1 1/4" - 2"	600	13											
A2-08	40-60	1 1/2" - 2 1/4"	400	13,6											
A2-09	44-64	1 3/4" - 2 1/2"	400	11,8											
A2-10	50-70	2" - 2 7/8"	400	10,2											
A2-11	57-76	2 1/4" - 3"	300	8,3											
A2-12	60-80	3 18/32" - 3 1/4"	100	8,9											
A2-13	70-90	3" - 3 20/32"	100	9,5											
A2-14	80-100	3 11/32" - 4 1/16"	100	3,7											
A2-15	85-103	3 11/32" - 4 1/16"	50	3,9											
A2-16	90-110	3 20/32" - 4 11/32"	50	2,3											
A2-17	100-120	4 1/8" - 4 3/4"	50	2,35											
A2-18	110-130	4 1/2" - 5 5/16"	50	2,4											
A2-19	115-135	4 1/2" - 5 5/16"	50	2,5											
A2-20	120-140	5 1/8" - 5 3/4"	50	2,6											
A2-21	130-150	5 3/4" - 6 7/16"	50	2,65											
A2-22	140-160	6"	50	2,6											
A2-23	146-164	6"	50	2,65											

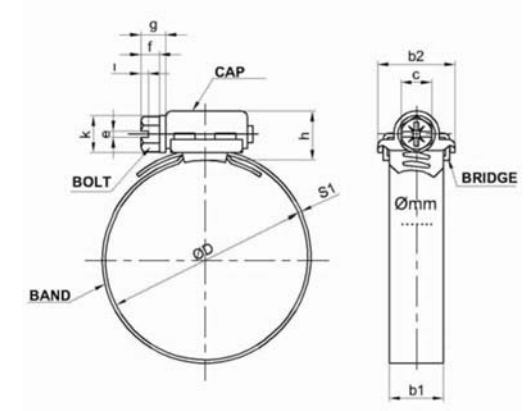
## Materials

W1	Band	: 1.0330 [DC01 (C590) Special Steel ]
	Cap	: 1.0330 [ DC01 (C390) Special Steel ]
	Screw	: 1.5525 [ (20MnB4) Special Zinc Plated ]
	Salt Water Tetest	: 100 hours

Salt water test is performed regarding ASTM B 117 standards.



# B Type Clamps



## Dimensions

Code	Ø D		Qty in A Box	Weight of the box (kg)	S1 ±0.1	b1 ±0.2	b2 ±0.3	c -0.1	e ±0.3	f ±0.3	g ±0.5	h ±0.4	i ±0.1	k ±0.2
	mm	inch												
B1-01	19-26	3/4" - 1 1/32"	600	13,9										
B1-02	20-30	3/4" - 1 3/16"	600	14,3										
B1-03	22-36	7/8" - 1 13/32"	600	15,3										
B1-04	25-42	1" - 1 21/32"	600	16,8										
B1-05	28-48	1 3/32" - 1 7/8"	300	9,9										
B1-06	32-51	1 1/4" - 2"	300	9,4										
B1-07	38-58	1 1/2" - 2 1/4"	300	10										
B1-08	44-64	1 3/4" - 2 1/2"	300	10,4										
B1-09	51-72	2" - 2 7/8"	250	9,2	0,7	13	18,6	7-8	1,5	5	7	12	1,8	9,2
B1-10	57-76	2 1/4" - 3"	250	9,5										
B1-11	65-82	2 18/32" - 3 1/4"	200	8										
B1-12	76-92	3" - 3 20/32"	200	8,5										
B1-13	85-103	3 11/32" - 4 1/16"	150	7										
B1-14	92-110	3 20/32" - 4 11/32"	150	7,4										
B1-15	105-121	4 1/8" - 4 3/4"	100	5,2										
B1-16	115-135	4 1/2" - 5 5/16"	100	5,6										
B1-17	130-146	5 1/8" - 5 3/4"	75	5,4										
B1-18	146-164	5 3/4" - 6 7/16"	75	4,9										

## Torque Values

Diameter ØD (mm)	Tightening Torque (Nm)	Breakdown Torque (Nm)	Idle Torque (Nm)
19-26	6	8	1
20-30	6	8	1
22-36	6	8	1
25-42	7	8	1
28-48	7	8	1
32-51	7	8	1
38-58	7	8	1
44-64	7	8	1
51-72	8	9	1
57-76	8	9	1
65-82	8	9	1
76-92	8	9	1
85-103	8	9	1
92-110	8	9	1
105-121	8	9	1
115-135	8	9	1
130-146	8	9	1
146-164	8	9	1

Recommended tightening speed 300 rpm.  
Available for TS12091-DIN 3017

## Materials

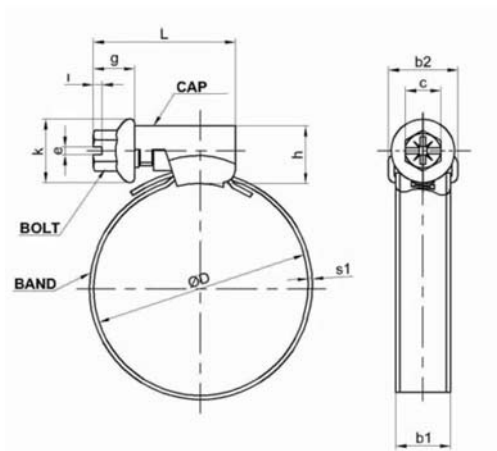
W1	Band	: 1.0330 [DC01 (C590) Special Steel ]
	Cap&Bridge	: 1.0330 [ DC01 (C390) Special Steel ]
	Screw	: 1.5525 [ (20MnB4) Special Zinc Plated ]
	Salt Water Test	: 100 hours
W4	Band&Cap&Bridge	: 1.4301 [ (X5CrNi 18-10) Antimagnetic st/st ]
	Screw	: 1.4567 [ (X3CrNiCu 18-9-4) Antimagnetic st/st ]
	Salt Water Test	: 800 hours

Salt water test is performed regarding ASTM B 117 standards.





# C Type Clamps



## Torque Values

Diameter ØD (mm)	Tightening Torque (Nm)	Breakdown Torque (Nm)	Idle Torque (Nm)
10-16	3,5	4	1
12-20	3,5	4	1
12-22	3,5	4	1
16-25	3,5	4	1
16-27	3,5	4	1
20-32	3,5	4	1
23-35	4	5	1
25-40	4	5	1
30-45	4	5	1
32-50	4	5	1
40-60	4	5	1
50-70	4,5	5	1
60-80	4,5	5	1
70-90	4,5	5	1
80-100	4,5	5	1
90-110	4,5	5	1
100-120	4,5	5	1
110-130	4,5	5	1
120-140	4,5	5	1
130-150	4,5	5	1
140-160	4,5	5	1

Recommended tightening speed 300 rpm.  
Available for TS12091-DIN 3017

## Dimensions

Code	Ø D		Qty in A Box	Weight of the box (kg)	L ±0.5	s1 ±0.03	b1 ±0.2	c -0.1	e ±0.1	g ±0.3	h ±0.3	i ±0.1	k ±0.3	b2 ±0.3										
	mm	inch																						
C1-1/01	10-16	3/8" 5/8"	600	8,5	25																			
C1-1/02	12-20	1/2" - 3/4"	600	8,8																				
C1-1/03	12-22	1/2" - 7/8"	600	8,9																				
C1-1/04	16-25	5/8" - 1"	600	+9																				
C1-1/05	16-27	5/8" - 1 1/15"	600	9,1																				
C1-1/06	20-32	3/4" - 1 1/4"	600	9,2																				
C2-2/01	23-35	8/9" - 1 3/8"	600	10,4											27	0,7	9,0	7,0	1,3	7,5	9,7	1,5	10,8	11,70
C2-2/02	25-40	1" - 1 5/8"	600	11																				
C2-2/03	30-45	1 1/16" - 1 3/4"	300	5,8																				
C2-2/04	32-50	1 1/14" - 2"	300	6																				
C2-2/05	40-60	1 5/8" - 2 3/8"	300	6,5																				
C2-2/06	50-70	2" - 2 3/4"	160	3,9																				
C2-2/07	60-80	2 3/8" - 3 1/8"	150	3,9																				
C2-2/08	70-90	2 3/4" - 3 1/2"	130	3,4																				
C2-2/09	80-100	3 1/8" - 4"	100	3,8																				
C2-2/10	90-110	3 1/2" - 4 3/8"	90	2,8																				
C2-2/11	100-120	4" - 4 3/4"	80	2,7																				
C2-2/12	110-130	4 3/8" - 5 1/8"	70	2,8																				
C2-2/13	120-140	4 3/4" - 5 1/2"	70	2,9																				
C2-2/14	130-150	5 1/8" - 5 7/8"	60	2,4																				
C2-2/15	140-160	5 1/2" - 6 1/4"	50	2,2																				

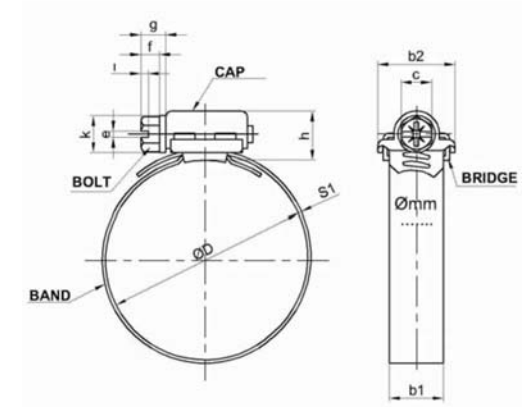
## Materials

W1	Band&Cap	: 1.0330 [DC01 (C590) Special Steel ]
	Screw	: 1.5525 [ (20MnB4) Special Zinc Plated ]
	Salt Water Test	: 100 hours
W2	Band&Cap	: 1.4016 [ (X6Cr17) Magnetic st/st ]
	Screw	: 1.5525 [ (20MnB4) Special Zinc Plated ]
	Salt Water Test	: Screw 200 hours; Band & Cap 400 hours
W4	Band&Cap	: 1.4301 [ (X5CrNi 18-10) Antimagnetic st/st ]
	Screw	: 1.4567 [ (X3CrNiCu 18-9-4) Antimagnetic st/st ]
	Salt Water Test	: 800 hours

Salt water test is performed regarding ASTM B 117 standards.



# D Type Clamps



## Dimensions

Code	Ø D		Qty in A Box	Weight of the box (kg)	S1 ±0.5	b1 ±0.3	b2 ±0.3	c -0.1	e ±0.2	f ±0.3	g ±0.3	h ±0.4	i ±0.2	k ±0.2										
	mm	inch																						
D1-01	19-26	3/4" - 1"	600	14	0,7																			
D1-02	20-32	3/4" - 1 1/4"	600	14,8																				
D1-03	23-35	8/9" - 1 3/8"	600	16,5																				
D1-04	25-40	1" - 1 5/8"	600	16,7																				
D1-05	30-45	1 1/6" - 1 3/4"	300	9																				
D1-06	32-50	1 1/4" - 2"	300	9,6																				
D1-07	40-60	1 5/8" - 2 3/8"	300	10,4																				
D1-08	50-70	2" - 2 3/4"	250	9,3																				
D1-09	60-80	2 3/8" - 3 1/8"	200	8,1		0,8	13	18,6	7	1,5	5	7,5	12	1,8	9,2									
D1-10	70-90	2 3/4" - 3 1/2"	200	7,5																				
D1-11	80-100	3 1/8" - 4"	150	6,8																				
D1-12	90-110	3 1/2" - 4 3/8"	150	6,1																				
D1-13	100-120	4" - 4 3/4"	100	5,3																				
D1-14	110-130	4 3/8" - 5 1/8"	100	4,9																				
D1-15	120-140	4 3/4" - 5 1/2"	75	4,5																				
D1-16	130-150	5 1/8" - 5 7/8"	75	4,7																				
D1-17	140-160	5 1/2" - 6 1/4"	75	4,9																				

## Torque Values

Diameter ØD (mm)	Tightening Torque (Nm)	Breakdown Torque (Nm)	Idle Torque (Nm)
19-26	5	6,5	1
20-32	5	6,5	1
23-35	5	6,5	1
25-40	5	6,5	1
30-45	5,5	7	1
32-50	5,5	7	1
40-60	5,5	7	1
50-70	5,5	7	1
60-80	5,5	7	1
70-90	5,5	7	1
80-100	5,5	7	1
90-110	5,5	7	1
100-120	5,5	7	1
110-130	5,5	7	1
120-140	5,5	7	1
130-150	5,5	7	1
140-160	5,5	7	1

Recommended tightening speed 300 rpm.  
Available for TS12091-DIN 3017

## Materials

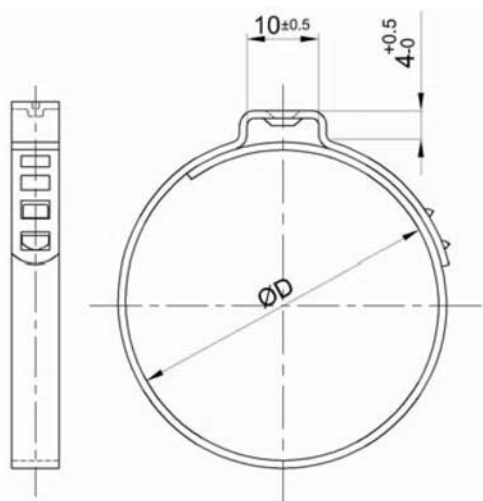
W1	Band	: 1.0330 [DC03 (C490) Special Steel ]
	Cap&Bridge	: 1.0330 [DC03 (C390) Special Steel ]
	Screw	: 1.5525 [ (20MnB4) Special Zinc Plated ]
	Salt Water Test	: 100 hours
W2	Band&Cap&Bridge	: 1.4016 [ (X6Cr17) Magnetic st/st ]
	Screw	: 1.5525 [ (20MnB4) Special Zinc Plated ]
	Salt Water Test	: Screw 200 hours; Band & Cap & Bridge 400 hours
W4	Band&Cap&Bridge	: 1.4301 [ (X5CrNi 18-10) Antimagnetic st/st ]
	Screw	: 1.4567 [ (X3CrNiCu 18-9-4) Antimagnetic st/st ]
	Salt Water Test	: 800 hours

Salt water test is performed regarding ASTM B 117 standards.





# Spiked Clamps



## Dimensions

Code	S ØD mm	Qty in A Box	Weight of the box (kg)	Band Width (mm)
TK1-01	17,5	1000	4,2	7
TK1-02	26	1000	5,3	7
TK1-03	29	1000	5,7	7
TK1-04	31	1000	6	7
TK1-05	33	1000	6,2	7
TK1-06	35	1000	6,5	7
TK1-07	37	1000	6,7	7
TK1-08	39	1000	7	7
TK1-09	44	1000	7,7	7
TK1-10	55	1000	9,1	7
TK1-11	65	700	7,3	7
TK1-12	70	500	5,4	7
TK1-13	74	500	5,7	7
TK1-14	82	400	5	7
TK1-15	85	400	5,1	7
TK1-16	87	400	5,2	7
TK1-17	88	400	5,3	7
TK1-18	92	400	5,5	7
TK1-19	94	400	5,6	7
TK1-20	97	300	4,2	7
TK1-21	103	300	4,5	7
TK1-22	105	300	4,6	7

Code	S ØD mm	Qty in A Box	Weight of the box (kg)	Band Width (mm)
TK2-01	25	1000	6,7	9
TK2-02	26	1000	6,9	9
TK2-03	29	1000	7,4	9
TK2-04	31	1000	7,8	9
TK2-05	33	1000	8,1	9
TK2-06	35	1000	8,4	9
TK2-07	37	1000	8,7	9
TK2-08	39	1000	9,1	9
TK2-09	44	1000	9,9	9
TK2-10	55	600	7	9
TK2-11	65	500	6,6	9
TK2-12	70	500	7,1	9
TK2-13	74	400	5,9	9
TK2-14	82	300	4,8	9
TK2-15	85	300	4,9	9
TK2-16	87	300	5	9
TK2-17	88	300	5,1	9
TK2-18	92	300	5,2	9
TK2-19	94	300	5,4	9
TK2-20	97	250	4,6	9
TK2-21	103	250	4,9	9
TK2-22	105	200	3,9	9

## Materials

W1	Band	: 1.0226 (Galvanized sheet iron DX510)
	Width	: 7 mm - 9 mm Band thickness: 0,75 mm - 1 mm
	Salt Water Test	: 72 hours
W2	Band	: 1.4016 [ (X6Cr17) Magnetic st/st ]
	Width	: 7 mm - 9 mm Band thickness: 0,75 mm - 1 mm
	Salt Water Test	: 400 hours
W4	Band	: 1.4301 (Antimagnetic st/st 18/10)
	Width	: 7 mm - 9 mm Band thickness: 0,75 mm - 1 mm
	Salt Water Test	: 800 hours

Salt water test is performed regarding ASTM B 117 standards.



Special dimensions can be produced on demand

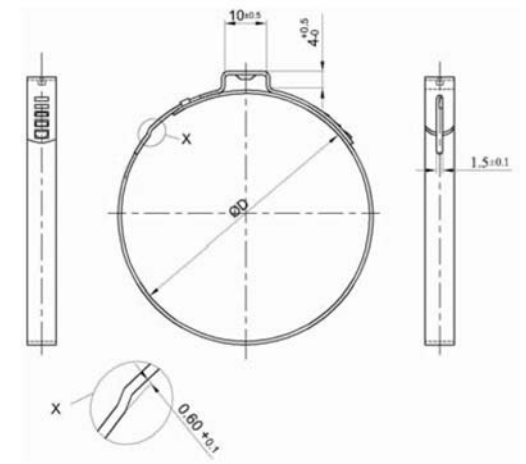
# Guide Threaded Spiked Curved Clamps



## Dimensions

Code	S ØD mm	Qty in A Box	Weight of the box (kg)	Band Width (mm)
TKE1-01	35	1000	6,7	7
TKE1-02	36	1000	6,8	7
TKE1-03	37	1000	6,9	7
TKE1-04	38	1000	7,1	7
TKE1-05	39	1000	7,2	7
TKE1-06	40	1000	7,3	7
TKE1-07	41	1000	7,5	7
TKE1-08	42	1000	7,6	7
TKE1-09	44	1000	7,9	7
TKE1-10	55	1000	9,3	7
TKE1-11	65	700	7,4	7
TKE1-12	70	500	5,6	7
TKE1-13	74	500	5,9	7
TKE1-14	82	400	5,1	7
TKE1-15	85	400	5,3	7
TKE1-16	87	400	5,5	7
TKE1-17	88	400	5,5	7
TKE1-18	92	400	5,7	7
TKE1-19	94	400	5,8	7
TKE1-20	97	300	4,4	7
TKE1-21	103	300	4,7	7
TKE1-22	105	300	4,8	7

Code	S ØD mm	Qty in A Box	Weight of the box (kg)	Band Width (mm)
TKE2-01	35	1000	8,6	9
TKE2-02	36	1000	8,8	9
TKE2-03	37	1000	8,9	9
TKE2-04	38	1000	9	9
TKE2-05	39	1000	9,2	9
TKE2-06	40	1000	9,3	9
TKE2-07	41	1000	9,4	9
TKE2-08	42	1000	9,5	9
TKE2-09	44	1000	10	9
TKE2-10	55	600	7,2	9
TKE2-11	65	500	6,9	9
TKE2-12	70	500	7,2	9
TKE2-13	74	400	6,1	9
TKE2-14	82	300	5	9
TKE2-15	85	300	5,1	9
TKE2-16	87	300	5,2	9
TKE2-17	88	300	5,3	9
TKE2-18	92	300	5,5	9
TKE2-19	94	300	5,6	9
TKE2-20	97	250	4,8	9
TKE2-21	103	250	5,1	9
TKE2-22	105	200	4,1	9



## Materials

W1	Band	: 1.0226 (Galvanized sheet iron DX510)
	Width	: 7 mm - 9 mm Band thickness: 0,75 mm - 1 mm
	Salt Water Test	: 72 hours
W2	Band	: 1.4016 [ (X6Cr17) Magnetic st/st ]
	Width	: 7 mm - 9 mm Band thickness: 0,75 mm - 1 mm
	Salt Water Test	: 400 hours
W4	Band	: 1.4301 (Antimagnetic st/st 18/10)
	Width	: 7 mm - 9 mm Band thickness: 0,75 mm - 1 mm
	Salt Water Test	: 800 hours

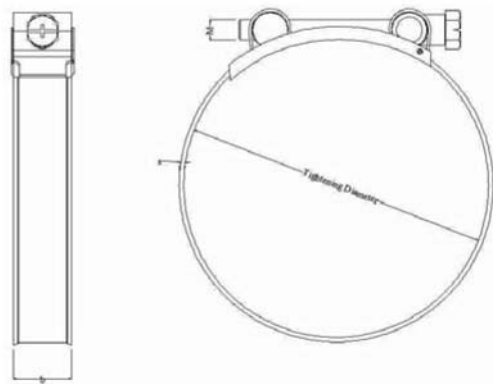
Salt water test is performed regarding ASTM B 117 standards.



Special dimensions can be produced on demand



# 14 mm Ribbed Clamps



## Dimensions

Code	Size Inch	Tightening Diameter	Qty in A Box	b (mm)	Screw	Nut Diameter	s (mm)
TOK-01	1 1/12" - 1 5/8"	35-40	50	14	M5	11	0,8
TOK-02	1 9/16" - 1 11/16"	38-43	50				
TOK-03	1 1/8" - 1 3/4"	41-48	50				
TOK-04	1 1/4" - 1 13/16"	44-51	50				
TOK-05	1 7/8" - 2"	48-56	50				
TOK-06	2" - 2 5/32"	51-59	50				
TOK-07	2 5/32" - 2 5/16"	54-62	50				
TOK-08	2 5/16" - 2 1/2"	57-65	50				
TOK-09	2 3/8" - 2 5/8"	60-68	50				
TOK-10	2 1/2" - 2 11/16"	63-72	50				
TOK-11	2 5/8" - 2 15/16"	67-75	50				
TOK-12	2 11/16" - 3"	70-78	50				
TOK-13	2 7/8" - 3 1/8"	73-81	50				
TOK-14	2 15/16" - 3 1/4"	76-84	50				
TOK-15	3 1/8" - 3 11/32"	78-86	50				
TOK-16	3 1/8" - 3 1/2"	79-87	50				
TOK-17	3 5/16" - 3 9-16"	82-91	50				
TOK-18	3 11/32" - 3 9/16"	86-94	50				
TOK-19	3 5/16" - 3 9/16"	89-97	50				
TOK-20	3 11/32" - 3 9/16"	90-98	50				
TOK-21	3 9/16" - 3 13/16"	92-100	50				
TOK-22	3 9/16" - 3 13/16"	95-103	50				
TOK-23	4 1/16" - 4 5/16"	101-110	50				
TOK-24	4 1/16" - 4 5/16"	103-111	50				
TOK-25	4 3/8" - 4 3/4"	105-113	50				
TOK-26	4 3/32" - 4 3/8"	108-116	50				
TOK-27	4 3/32" - 4 3/8"	114-122	50				
TOK-28	4 3/8" - 4 3/4"	116-124	25				
TOK-29	4 3/4" - 5 1/8"	121-129	25				
TOK-30	5 1/8" - 5 1/2"	127-135	25				
TOK-31	5 5/16" - 5 3/4"	133-141	25				
TOK-32	5 1/2" - 5 7/8"	140-148	25				
TOK-33	5 3/4" - 6 1/6"	146-154	25				
TOK-34	5 7/8" - 6 3/8"	152-160	25				
TOK-35	6 1/6" - 6 1/2"	159-167	25				
TOK-36	6 1/2" - 6 13/16"	165-173	25				

## Materials



Band & Inner Sheet : 1.4016 [ (X6Cr17) Magnetic st/st ]  
 Screw : 1.5525 [ (20MnB4) Special Zinc Plated ]  
 Salt Water Test : Screw 100 hours ; Band & Inner Sheet 200 hours

Salt water test is performed regarding ASTM B 117 standards.

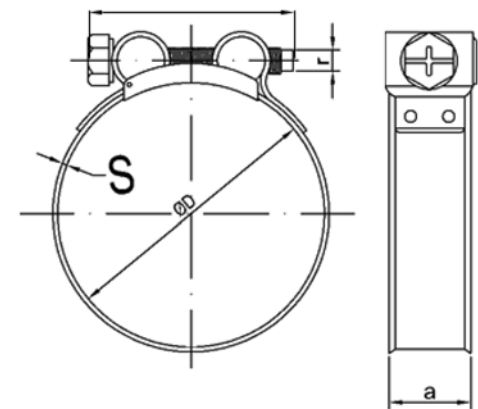


# Ribbed Clamps



## Dimensions

Code	Size Inch	Tightening Diameter	Qty in A Box	Weight of the box (kg)	b (mm)	Screw	Nut Diameter	s (mm)
TEK-01		13-15	50	2,2	18	M6	11	0,8
TEK-02		15-17	50	2,2				
TEK-03		17-19	50	2,2				
TEK-04		19-21	50	2,4				
TEK-05		21-23	50	2,5				
TEK-06		23-25	50	2,5				
TEK-07		25-27	50	2,6				
TEK-08		27-29	50	2,6				
TEK-09		29-31	50	2,8				
TEK-10	1"	31-33	50	2,8				
TEK-11		34-36	50	5,6	25	M8	14	1,0
TEK-12	1 1/4"	37-40	50	5,8				
TEK-13		41-43	50	6				
TEK-14	1 1/2"	44-46	50	6				
TEK-15		47-51	50	6,2				
TEK-16		52-55	50	6,4				
TEK-17	2"	56-61	50	6,4				
TEK-18		59-65	50	6,5				
TEK-19		62-67	50	6,6				
TEK-20		65-71	50	6,8				
TEK-21	2 1/2"	68-74	50	7				
TEK-22		72-78	50	7,2				
TEK-23		75-83	50	7,4				
TEK-24	3"	84-91	50	7,6				
TEK-25	3 1/2"	92-102	25	4				
TEK-26		100-108	25	4,4				
TEK-27		103-110	25	4,6				
TEK-28	4"	110-120	25	4,6				
TEK-29		121-131	25	4,6				
TEK-30	5"	135-145	25	4,8				
TEK-31		145-155	25	4,9				
TEK-32		155-165	25	5				
TEK-33	6"	165-175	25	5,1				



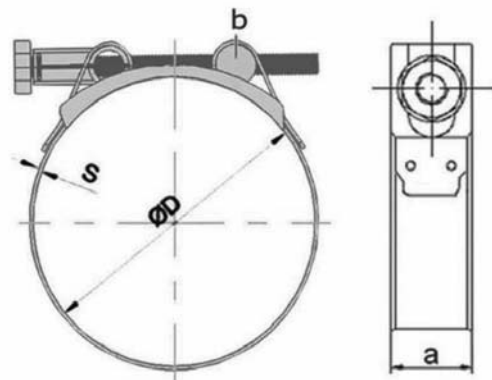
## Materials

W1	Band & Inner Sheet : 1.0330 [ DC01 (C590) Special Steel ]
	Screw : 1.5525 [ (20MnB4) Special Zinc Plated ]
	Salt Water Test : 200 hours
W2	Band & Inner Sheet : 1.4016 [ (X6Cr17) Magnetic st/st ]
	Screw : 1.5525 [ (20MnB4) Special Zinc Plated ]
	Salt Water Test : 400 hours





# T-Head Ribbed Clamps



## Dimensions

Code	Size Inch	Tightening Diameter	Qty in A Box	Weight of the box (kg)	b (mm)	Screw	Nut Diameter	s (mm)
TBT-01		29-31	50	3,8	25	M8	14	1,0
TBT-02	1"	31-34	50	5,4				
TBT-03		34-37	50	5,5				
TBT-04	1 1/4"	37-40	50	5,5				
TBT-05		40-43	50	5,6				
TBT-06	1 1/2"	43-47	50	6				
TBT-07		47-51	50	6				
TBT-08		51-55	50	6				
TBT-09		55-59	50	6,2				
TBT-10	2"	59-63	50	6,8				
TBT-11		63-68	50	7				
TBT-12	2 1/2"	68-73	50	7				
TBT-13		73-79	50	7,3				
TBT-14		79-85	50	7,6				
TBT-15	3"	85-91	50	7,9				
TBT-16		91-97	25	4				
TBT-17		97-104	25	4,2				
TBT-18		104-112	25	4,4				
TBT-19	4"	112-121	25	4,6				
TBT-20		121-130	25	4,7				
TBT-21	5"	130-140	25	4,9				
TBT-22		140-150	25	5				
TBT-23		150-162	25	5,2				
TBT-24	6"	162-174	25	5,4				
TBT-25		174-187	25	6,2				
TBT-26		187-200	15	3,6				
TBT-27		200-213	15	4				
TBT-28		213-226	15	4				
TBT-29		226-239	15	4,1				
TBT-30		239-252	15	4,2				

## Materials



Band & Inner Sheet : 1.4301 [ (X5CrNi 18-10) Antimagnetic st/st ]  
 Screw : 1.4567 [ (X3CrNiCu 18-9-4) Antimagnetic st/st ]  
 Salt Water Test : 800 hours

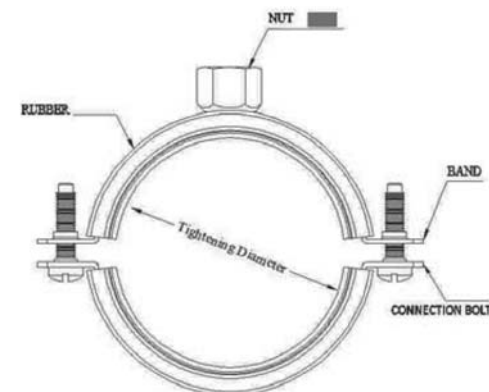


# Double Sided Burst Pipe Clamps



## Dimensions

Code	Size (inch)	Tightening Range (mm)	Qty in A Box (kg)	Weight of the Box (kg)	Hunger Nut	Band (mm)	Connection Bolt
CTPS-01	1/4"	10-14	250	8,6	M8	1,2x20	M6x15
CTPS-02	3/8"	16-18	250	8,9	M8	1,2x20	M6x15
CTPS-03	1/2"	20-24	200	9,2	M8	1,2x20	M6x15
CTPS-04	3/4"	25-29	150	7,8	M8	1,2x20	M6x15
CTPS-05	1"	32-36	100	5,7	M8	1,2x20	M6x18
CTPS-06	1 1/4"	40-46	100	6,5	M8	1,2x20	M6x18
CTPS-07	1 1/2"	48-53	80	5,5	M8	1,2x20	M6x18
CTPS-08	2"	58-63	50	4,1	M8	1,2x20	M6x18
CTPS-09	2 1/2"	73-82	100	15,1	M10	1,5x25	M6x25
CTPS-10	3"	83-95	90	15,3	M10	1,5x25	M6x25
CTPS-11	4"	112-117	75	14,9	M10	1,5x25	M6x25
CTPS-12	5"	134-142	50	14,1	M10	2,0x25	M6x30
CTPS-13	-	158-168	45	14,9	M10	2,0x25	M6x30
CTPS-14	6"	165-175	45	15,4	M10	2,0x25	M6x30
CTPS-15	8"	218-225	30	12,6	M10	2,0x25	M6x30
CTPS-16	10"	268-280	24	12,6	M10	2,0x25	M6x30



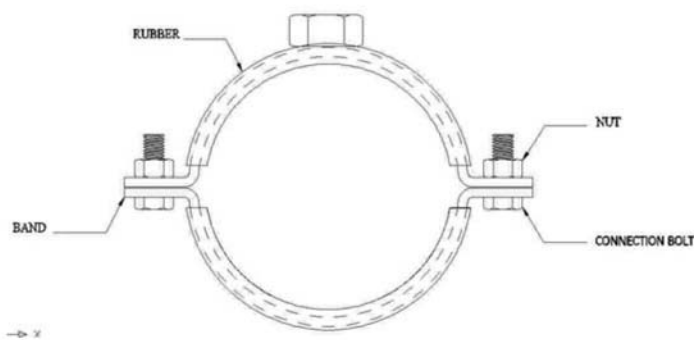
Band	Material No: 1.0330 (DC01 Special Steel)
Rubber	EPDM 50 - 55 Shore / PVC / NBR / SBR / Termo Plastic

- We can produce pipe clamps with triton 7x70 mm, 7x100 mm, and combi nut.
- We can produce without rubber.





## Light Duty Pipe Clamps



### Dimensions

Code	Size (inch)	Tightening Range (mm)	Qty in A Box (kg)	Weight of the Box (kg)	Hunger Nut	Band (mm)	Connection Bolt
CTHS-01	2 1/2"	73-82	100	14,7	M10	1,5x25	M8x25
CTHS-02	3"	83-95	90	15,2	M10	1,5x25	M8x25
CTHS-03	4"	110-117	75	14,4	M10	1,5x25	M8x25
CTHS-04	5"	134-142	50	13	M10	2,0x25	M8x25
CTHS-05	-	158-168	45	13,9	M10	2,0x25	M8x25
CTHS-06	6"	165-175	45	14,4	M10	2,0x25	M8x25
CTHS-07	8"	218-225	30	11,7	M10	2,0x25	M8x25
CTHS-08	10"	268-280	24	11,4	M10	2,0x25	M8x25

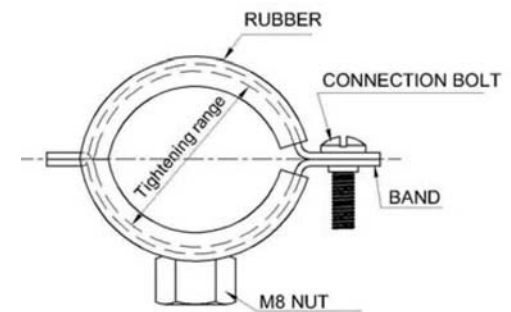
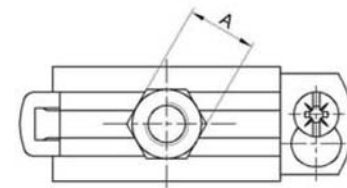
Band	Material No: 1.0330 (DC01 Special Steel)
Rubber	EPDM 50 - 55 Shore / PVC / NBR / SBR / Termo Plastic

• We can produce pipe clamps with triton 7x70 mm, 7x100 mm, and combi nut.



# Single Sided Pipe Clamps

PATENTED PRODUCT



## Dimensions

Code	Size (inch)	Tightening Range (mm)	Qty in A Box (kg)	Weight of the Box (kg)	Hunger Nut	Band (mm)	Connection Bolt
TTS-01	3/8"	16-18	250	9,4	M8	1,2x22	M5x20
TTS-02	1/2"	20-24	200	8,3	M8	1,2x22	M5x20
TTS-03	3/4"	25-29	150	7,6	M8	1,2x22	M5x20
TTS-04	1"	32-36	100	6,6	M8	1,5x22	M5x20
TTS-05	1 1/4"	40-46	100	7,9	M8	1,5x22	M5x20
TTS-06	1 1/2"	48-53	80	6,8	M8	1,5x22	M5x20
TTS-07	2"	58-63	50	5,2	M8	1,5x22	M5x20

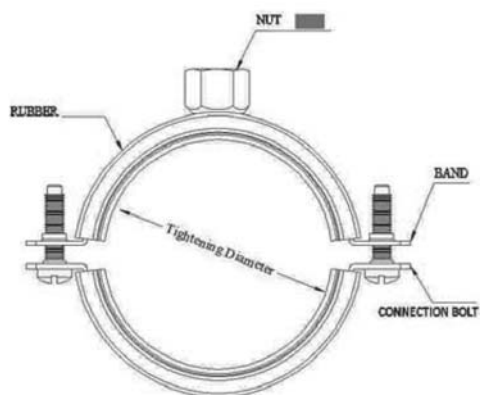
Band	Material No: 1.0330 (DC01 Special Steel)
Rubber	EPDM 50 - 55 Shore / PVC / NBR / SBR / Termo Plastic

- We can produce pipe clamps with triton 7x70 mm, 7x100 mm, and combi nut.
- We can produce without rubber.





## For PVC Pipe Clamps With Rubber



### Dimensions

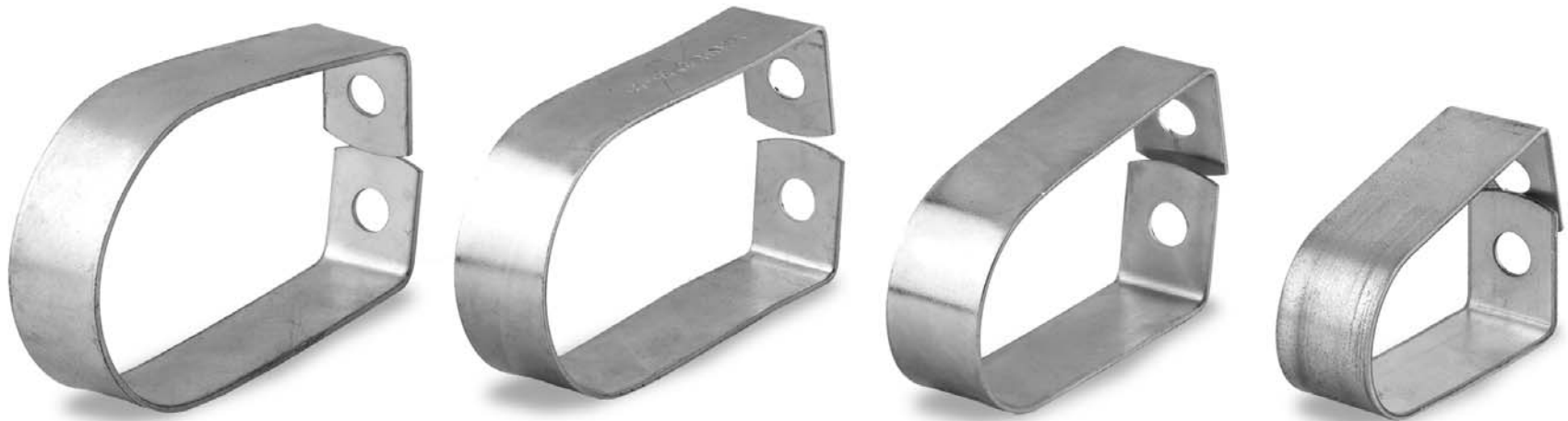
Code	Size (inch)	Tightening Range (mm)	Qty in A Box (kg)	Weight of the Box (kg)	Hunger Nut	Band (mm)	Connection Bolt
PSK-01	1/4"	10-14	250	8,1	M8	1,2x20	M6x15
PSK-02	3/8"	15-20	250	8,9	M8	1,2x20	M6x15
PSK-03	1/2"	17-24	200	7,5	M8	1,2x20	M6x15
PSK-04	3/4"	23-29	150	6,3	M8	1,2x20	M6x15
PSK-05	1"	29-35	100	4,7	M8	1,2x20	M6x18
PSK-06	1 1/4"	28-42	100	5,4	M8	1,2x20	M6x18
PSK-07	1 1/2"	45-53	80	4,8	M8	1,2x20	M6x18
PSK-08	2"	55-65	50	3,4	M8	1,2x20	M6x18
PSK-09	2 1/2"	68-80	100	14,7	M10	1,5x25	M6x25
PSK-10	3"	83-95	90	15,2	M10	1,5x25	M6x25
PSK-11	4"	103-110	75	14,3	M10	1,5x25	M6x25
PSK-12	5"	120-125	50	12,9	M10	2,0x25	M6x30
PSK-13	6"	146-160	45	13,9	M10	2,0x25	M6x30
PSK-14	-	158-168	45	14,3	M10	2,0x25	M6x30
PSK-15	8"	195-200	30	11,7	M10	2,0x25	M6x30
PSK-16	10"	255-270	24	12,1	M10	2,0x25	M6x30

Band	Material No: 1.0330 (DC01 Special Steel)
Rubber	EPDM 50 - 55 Shore / PVC / NBR / SBR / Termo Plastic

• We can produce pipe clamps with triton 7x70 mm, 7x100 mm, and combi nut.

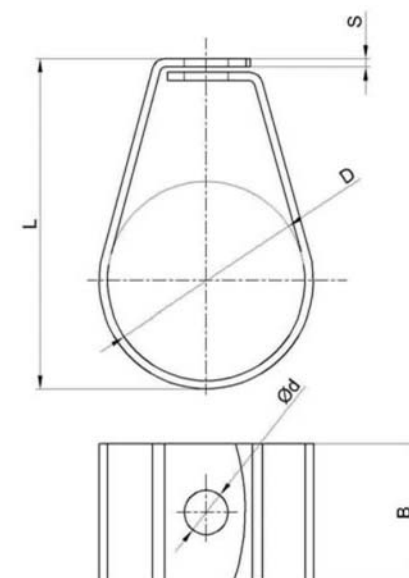


# Sprinkler Clamps



## Dimensions

Code	Size (inch)	Tightening Range (mm)	Qty in A Box (kg)	Weight of the Box (kg)	sxB (mm)	Ød (mm)	L (mm)	Recommended Load (kN)
SAK-01	1/2"	28	100	4,2	1,2x25	10,5	67	M8
SAK-02	3/4"	30	100	4,7	1,2x25	10,5	71	M8
SAK-03	1"	36	100	5	1,2x25	10,5	82	M8
SAK-04	1 1/4"	46	50	2,8	1,2x25	10,5	92	M8
SAK-05	1 1/2"	52	50	2,9	1,2x25	10,5	100	M8
SAK-06	2"	66	50	3,4	1,2x25	10,5	115	M8
SAK-07	2 1/2"	78	25	4,9	2,5x25	10,5	140	M8
SAK-08	3"	92	25	5,7	2,5x25	10,5	166	M8
SAK-09	4"	116	25	6,7	2,5x25	10,5	205	M8
SAK-10	5"	142	25	11,6	3,0x30	12,5	250	M10
SAK-11	6"	170	25	13,3	3,0x30	12,5	280	M10
SAK-12	8"	222	10	6,3	3,0x30	12,5	400	M10
SAK-13	10"	275	10	8,1	3,0x30	12,5	495	M10

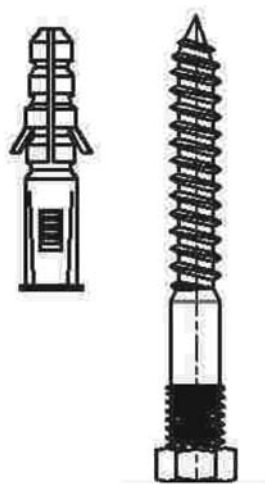


Band | Material No: 1.0330 (DC01 Special Steel)

• We can produce pipe clamps with triiton 7x70 mm, 7x100 mm, and combi nut.



## Wood Screws and Dowels



**Wood Screws Dimensions**

Code	Size	Lenght (mm)	Qty in A Box (kg)	Weight of the Box (kg)
TAD-01	M8	80	100	2
TAD-02	M8	100	100	2,2
TAD-03	M8	120	100	2,71
TAD-04	M10	80	100	3
TAD-05	M10	100	100	4,7
TAD-06	M10	110	100	4,90
TAD-07	M10	120	100	5,2

**Dowels Dimensions**

Code	Size	Lenght (mm)	Qty in A Box (kg)	Weight of the Box (kg)
BDM-01	M6	30	20000	8,4
BDM-02	M7	35	20000	14
BDM-03	M8	40	20000	16,7
BDM-04	M10	45	20000	30,1
BDM-05	M12	55	10000	24,7
BDM-06	M14	60	5000	28,7

## Exhaust Clamps

### Dimensions

Code	Dimensions Ø mm	Tightening Diameter mm
EXH-01	63	60
EXH-02	67	63
EXH-03	73	70
EXH-04	79	76
EXH-05	92	89

All parts are 316 quality stainless steel



for tuning



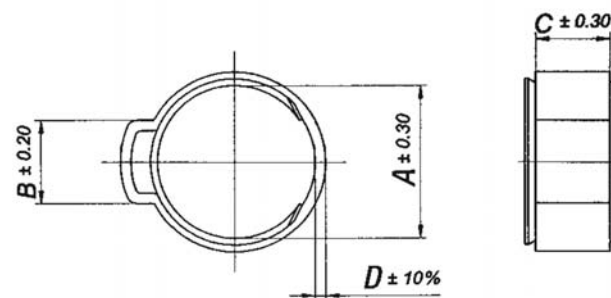
We can produce with polished

## Ear Clamps



### Dimensions

Code		Range Ø mm	Supplied Ø A mm	Band Thickness D mm	Ear Width B mm	Band Width C mm
W1	W4					
SG09,0	SGX09,0	7,5-8,5	8,5	0,7	5,5	6,0
SG10,0	SGX10,0	8,0-9,5	9,5	0,7	6,0	6,0
SG11,0	SGX11,0	9,0-10,5	10,5	0,7	6,5	6,5
SG12,0	SGX12,0	10,0-11,5	11,5	0,7	7,0	6,5
SG12,8	SGX12,8	10,5-12,5	12,5	0,9	7,5	6,5
SG14,0	SGX14,0	11,5-13,5	13,5	1,0	8,0	7,0
ND	SGX15,0	12,4-14,5	14,5	1,0	8,0	7,0
SG16,0	SGX16,0	13,0-15,3	15,3	1,1 (1,0 w4)	8,5	7,0
ND	SGX17,0	14,5-16,3	16,3	1,0	9,0	7,0
SG18,0	SGX18,0	15,0-17,3	17,3	1,2 (1,0 w4)	9,5	7,0
ND	SGX19,0	16,0-18,3	18,3	1,0	9,5	7,5
ND	SGX20,0	17,0-19,3	19,3	1,0	10,0	7,5



### Materials

<b>W1</b>	RoHS compliant zinc plated steel (*304 SS integral ring)
<b>W4</b>	304 SS

## Strip Clamps



### Dimensions

Code	Band Width (mm)	Band	Lock	Qty in A Box	Weight of the Box (kg)	Mat.
STP-01	9	30 m/roll	50 Qty	10	14,5	W2B
STP-02	9	30 m/roll	50 Qty	10	10	W4

## Economic Strip Clamps



### Dimensions

Code	Band Width (mm)	Band	Lock	Qty in A Box	Weight of the Box (kg)	Mat.
SEP-01	8	3 m/roll	6 Qty	10	1,6	W4
SEP-02	9	3 m/roll	6 Qty	10	5,6	W2B
SEP-03	12,7	3 m/roll	6 Qty	10	3	W2
SEP-04	12,7	3 m/roll	6 Qty	10	3,2	W4
SEP-05	12,7	4,3 m/roll	6 Qty	10	3,4	W4



# Solar Systems Clamps





*Hose & Pipe Clamps*

[www.tut.com.tr](http://www.tut.com.tr)



**KMC**  
— GROUP —

**KMC**  
STEEL SERVICE CENTER

**ZEREN**  
GAYRİMENKUL

**neke**  
METAL

**ER-Bi**

**Göktas**

**MGE**  
METAL GELİŞTİRME ENJİNİERLİK



Tut Keleçe Yedek Parça San. ve Tic. Ltd. Şti.

📍 Gebze Güzeller OSB, İnönü Mah.  
Fatih Sultan Mehmet Cad. No:5/2  
Gebze - KOCAELİ / TÜRKİYE

☎ +90 262 641 94 30 pbx

☎ +90 262 641 75 66

✉ info@tut.com.tr

🌐 www.tut.com.tr

